

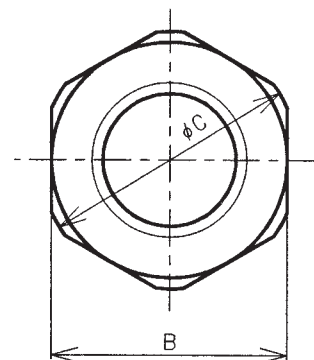
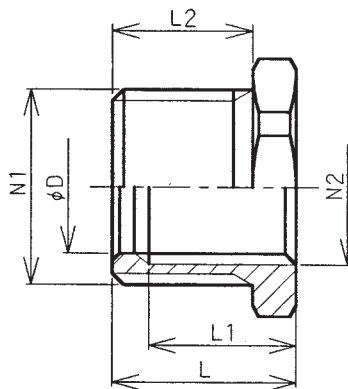
# 02 耐圧防爆構造アダプター

## Flameproof Adaptor

### SA22-16~104-70型

d2

工場電気設備防爆指針  
(ガス蒸気防爆2006)



|                           |  |
|---------------------------|--|
| 主材質<br>Material           | 鋼(ステンレス鋼・黄銅も可)<br>Steel (Stainless Steel and Brass are applied upon order) |
| 表面処理<br>Surface Treatment | 電気亜鉛メッキ<br>Zn Electroplating   |

#### ●1段 1step

| 型式<br>Type | N1       | N2       | φD   | B   | φC  | L1 | L2 | L  | 重量(kg)<br>Weight |
|------------|----------|----------|------|-----|-----|----|----|----|------------------|
| SA22-16    | PF 3/4   | PF 1/2   | 16   | 32  | 35  | 22 | 19 | 25 | 0.05             |
| SA28-22    | PF 1     | PF 3/4   | 24.1 | 35  | 38  | 20 | 21 | 26 | 0.07             |
| SA36-28    | PF 1-1/4 | PF 1     | 30.3 | 46  | 50  | 20 | 21 | 26 | 0.12             |
| SA42-36    | PF 1-1/2 | PF 1-1/4 | 39   | 50  | 54  | 20 | 21 | 26 | 0.12             |
| SA54-42    | PF 2     | PF 1-1/2 | 44.8 | 63  | 67  | 20 | 21 | 26 | 0.24             |
| SA70-54    | PF 2-1/2 | PF 2     | 56.7 | 77  | 80  | 22 | 22 | 28 | 0.43             |
| SA82-70    | PF 3     | PF 2-1/2 | 72.2 | 91  | 94  | 25 | 25 | 32 | 0.50             |
| SA92-82    | PF 3-1/2 | PF 3     | 84.9 | 105 | 109 | 25 | 25 | 32 | 0.56             |
| SA104-92   | PF 4     | PF 3-1/2 | 97.4 | 115 | 119 | 25 | 25 | 32 | 0.68             |

#### ●2段 2step

| 型式<br>Type | N1       | N2       | φD   | B   | φC  | L1 | L2 | L  | 重量(kg)<br>Weight |
|------------|----------|----------|------|-----|-----|----|----|----|------------------|
| SA28-16    | PF 1     | PF 1/2   | 16   | 35  | 38  | 20 | 21 | 26 | 0.10             |
| SA36-22    | PF 1-1/4 | PF 3/4   | 24.1 | 46  | 50  | 20 | 21 | 26 | 0.17             |
| SA42-28    | PF 1-1/2 | PF 1     | 30.3 | 50  | 54  | 20 | 21 | 26 | 0.19             |
| SA54-36    | PF 2     | PF 1-1/4 | 39   | 63  | 67  | 20 | 21 | 26 | 0.29             |
| SA70-42    | PF 2-1/2 | PF 1-1/2 | 44.8 | 77  | 80  | 22 | 22 | 28 | 0.60             |
| SA82-54    | PF 3     | PF 2     | 56.7 | 91  | 94  | 25 | 25 | 32 | 0.85             |
| SA92-70    | PF 3-1/2 | PF 2-1/2 | 72.2 | 105 | 109 | 25 | 25 | 32 | 0.93             |
| SA104-82   | PF 4     | PF 3     | 84.9 | 115 | 119 | 25 | 25 | 32 | 1.10             |

#### ●3段 3step

| 型式<br>Type | N1       | N2       | φD   | B   | φC  | L1 | L2 | L  | 重量(kg)<br>Weight |
|------------|----------|----------|------|-----|-----|----|----|----|------------------|
| SA36-16    | PF 1-1/4 | PF 1/2   | 16   | 46  | 50  | 20 | 21 | 26 | 0.21             |
| SA42-22    | PF 1-1/2 | PF 3/4   | 24.1 | 50  | 54  | 20 | 21 | 26 | 0.25             |
| SA54-28    | PF 2     | PF 1     | 30.3 | 63  | 67  | 20 | 21 | 26 | 0.40             |
| SA70-36    | PF 2-1/2 | PF 1-1/4 | 39   | 77  | 80  | 22 | 22 | 28 | 0.66             |
| SA82-42    | PF 3     | PF 1-1/2 | 44.8 | 91  | 94  | 25 | 25 | 32 | 1.10             |
| SA92-54    | PF 3-1/2 | PF 2     | 56.7 | 105 | 109 | 25 | 25 | 32 | 1.32             |
| SA104-70   | PF 4     | PF 2-1/2 | 72.2 | 115 | 119 | 25 | 25 | 32 | 1.43             |