

## EXBP-□□型

EXBP - □□

おねじサイズ  
Entry Male Thread size基本型式  
basic type

## IECEX

防爆構造の記号：Exd IIC Gb/Exe IIC Gb/Extb III C Db (M, NPTねじ)

Exe IIC Gb/Extb III C Db (M, NPT, Gねじ)

認証番号：IECEX CQM 16.0020X

## GB

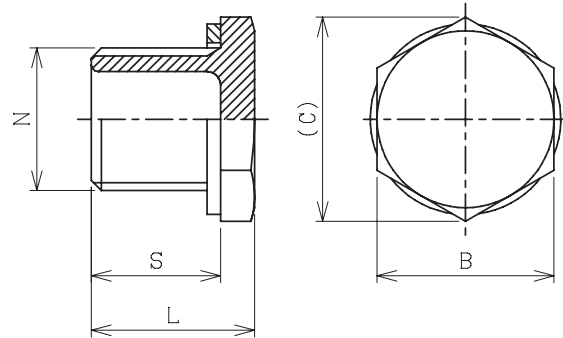
防爆構造の記号：Exd IIC Gb/Exe IIC Gb/ExtD A21 IP66 (M, NPTねじ)

Exe IIC Gb/ExtD A21 IP66 (M, NPT, Gねじ)

認証番号：GYJ16.1093X

## ■標準仕様 Standard Specification

主材質 Material	黄銅(鋼・ステンレスも可) Brass, Steel, Stainless steel (SUS304, 316, 316L)
表面処理 Surface treatment	電気亜鉛メッキ Nickel electroplating



型式 Type	N	S	L	C	B	重量(kg) Weight
EXBP-M16	M16×1.5	15	20	30	26	0.04
EXBP-16	G 1/2	19	24	30	26	0.05
EXBP-1/2	1/2NPT					
EXBP-M20	M20×1.5	15	20	37	32	0.07
EXBP-22	G 3/4	19	24			
EXBP-3/4	3/4NPT					
EXBP-M25	M25×1.5	15	20	44	38	0.11
EXBP-28	G 1	24	29			
EXBP-1	1NPT					
EXBP-M32	M32×1.5	15	20	53	46	0.20
EXBP-36	G 1-1/4	24	31			
EXBP-1 1/4	1-1/4NPT					
EXBP-M40	M40×1.5	15	22	63	54	0.26
EXBP-42	G 1-1/2	24	31			
EXBP-1 1/2	1-1/2NPT					
EXBP-M50	M50×1.5	15	22	78	67	0.37
EXBP-54	G 2	24	31			
EXBP-2	2NPT					
EXBP-M63	M63×1.5	15	22	95	82	0.59
EXBP-70	G 2-1/2	24	31			
EXBP-2 1/2	2-1/2NPT					
EXBP-M75	M75×1.5	15	22	115	99	0.90
EXBP-82	G 3	24	31			
EXBP-3	3NPT					
EXBP-M85	M85×1.5	15	22			